

**K220**  
Contractor® Flashlight



**Specifications**

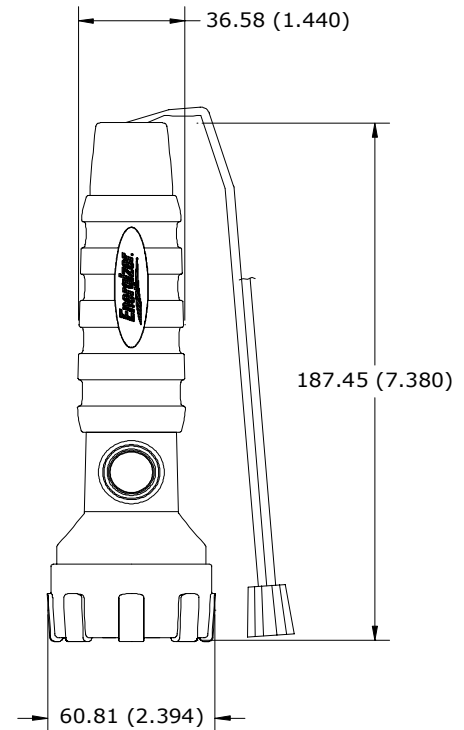
- Designation:** Energizer Flashlight
- Power Source:** Two AA Size Batteries (ANSI/NEDA 15 Series)
- Lamp:** No. KPR-104 (Rated at 2.2V, 0.47A)
- Lamp Life:** Rated at 15 Hours
- Lamp Output:** Rated at 7 Lumens
- Typical Weight:** 113.0 grams (4.0 oz.) (without batteries)

**Features**

- Rugged, Impact Resistant Housing
- Rubber Grip
- Waterproof and Floats
- Krypton Bulb
- Lanyard Included

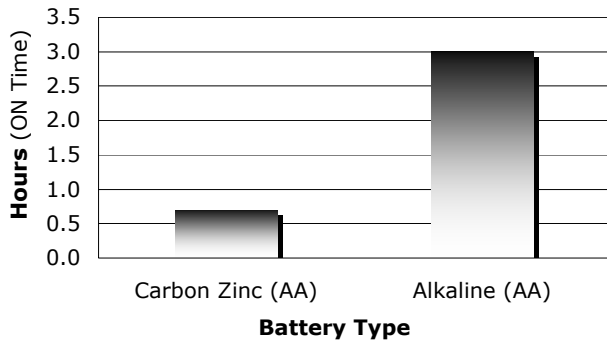
**Physical Dimensions**

mm (inches)



**Typical Battery Service**

470 mA Continuous  
at 21°C (70°F)



**Typical Battery Service to 0.9V (per battery) at 21°C (70°F)**

Schedule	Battery Type	Hours (ON Time)
470 mA Continuous	1215	0.7
470 mA Continuous	E91	3.0

**Important Notice**

This datasheet contains information specific to flashlights manufactured at the time of its publication.  
**Contents herein do not constitute a warranty.**  
Copyright Eveready Battery Co. Inc. - All Rights Reserved